

PANEL5000- A082

8-inch Resistive touch screen industrial monitor

Touch Screen Monitor



Specifications

LCD

Size / Type : 8" TFT LCD

Resolution : 800×600

Backlit : LED with 20000 hours

Brightness : 250cd/sqm

Viewing Area :162x121.5(mm)

Viewing angle :140(H)/120(V)

Touch Screen

Size / Type : 8 inch five-wire resistive screen

Communication : USB or RS232

Resolution : 4096x4096

Click life : 250g efforts, 35 million times

Draw life : 250g efforts, 5 million times

Transmittance : More than 81%

Institutional

Front Panel : Aluminum-magnesium alloy die-casting, cover with PET film, IP65 degree of protection

Box structure : High-strength sheet metal structure, high temperature paint handling

Indicators : Power switch and indicators at the back panel

Signal input : Supports VGA and DVI

Mounting : Supports Panel and VESA mounting

Overall size : 236×188×49.5mm(W×H×D)

Case Size : 216×168×42.5mm(W×H×D)

Hole Size : 219×171mm(W×H)

Weight : 1.5kg

Power and Environmental

Working tem. : 0~+50℃ (Electronic disk)

Storage tem. : -30~+70℃

Relative humidity : 10~95%@40℃ (No condensation)

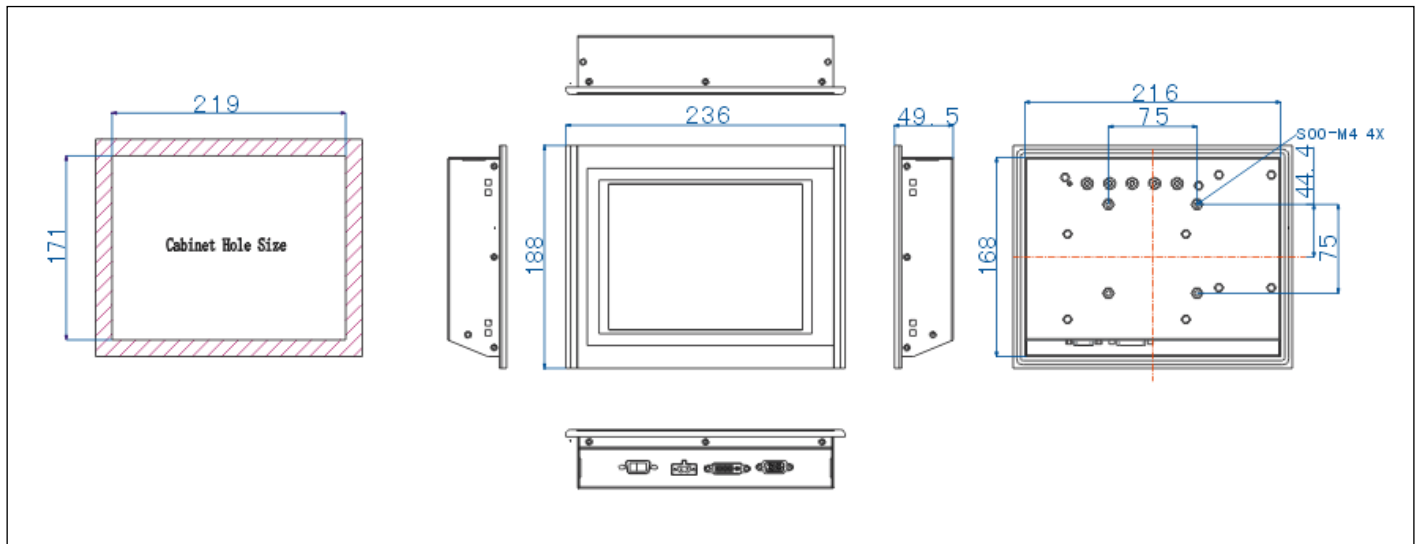
Vibrating : 50~500Hz,1.5G,0.15mm Peak to peak

Shock : 10G/peak (11ms sec)

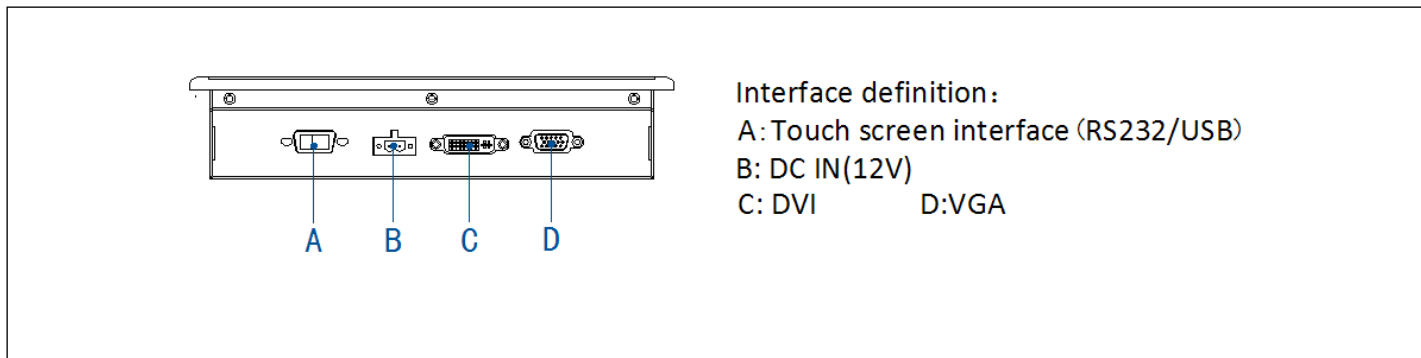
Power in : DC 12V/DC24V

Consumption : 5 watt

Dimensions



I/O definition



Ordering Information

PANEL5000-A082-TU : 8 inch TFT LCD/Resolution 800x600/Resistive touch screen/USB/DVI/VGA/DC12V

PANEL5000-A082-TUW : 8 inch TFT LCD/Resolution 800x600/Resistive touch screen/USB/DVI/VGA/DC24V

PANEL5000-A082-TS : 8 inch TFT LCD/Resolution 800x600/Resistive touch screen/RS232/DVI/VGA/DC12V

PANEL5000-A082-TSW : 8 inch TFT LCD/Resolution 800x600/Resistive touch screen/RS232/DVI/VGA/DC24V

PANEL5000-A082-C : 8 inch TFT LCD/Resolution 800x600/without touch screen/DVI/VGA/DC12V

PANEL5000-A082-CW : 8 inch TFT LCD/Resolution 800x600/without touch screen/DVI/VGA/DC24V