

# PANEL5000-A122

Precision resistive touch screen, COM / USB optional, VGA / DVI signal input

Industrial Touch Monitor



## Introduction

PANEL5000-A122 is ultra-thin industrial touch monitor that supports VGA and DVI inputs, front panel made of magnesium alloy with a PET film, support 12V DC power input, optional DC24V power input, power interface uses Fastening Type Phoenix terminal, to prevent accidental removal during use; touch screen with high temperature five-wire resistive, with high sensitivity, dust and waterproof, anti-oil, with gloves may merit normal operation, touch screen flexibility to choose the COM port, USB port to communicate with the host.

PANEL5000-A122 front panel compliant NEMA / IP65 waterproof and dustproof standard, to prevent installation in the control cabinet because of the scene splashing water droplets and water vapor into the host and thus affect equipment operation; high-strength steel box structure, so that it can adapt to the harsh industrial site work environment, the most suitable for factory automation, machinery manufacturing, CNC equipment, textile equipment, communication networks, power automation and other industrial applications.

## Features and Benefits



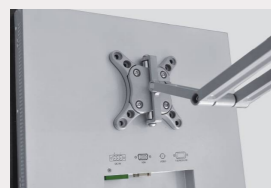
Using precision resistive touch screen



Rugged steel structure



Phoenix terminal using fastening type power connector



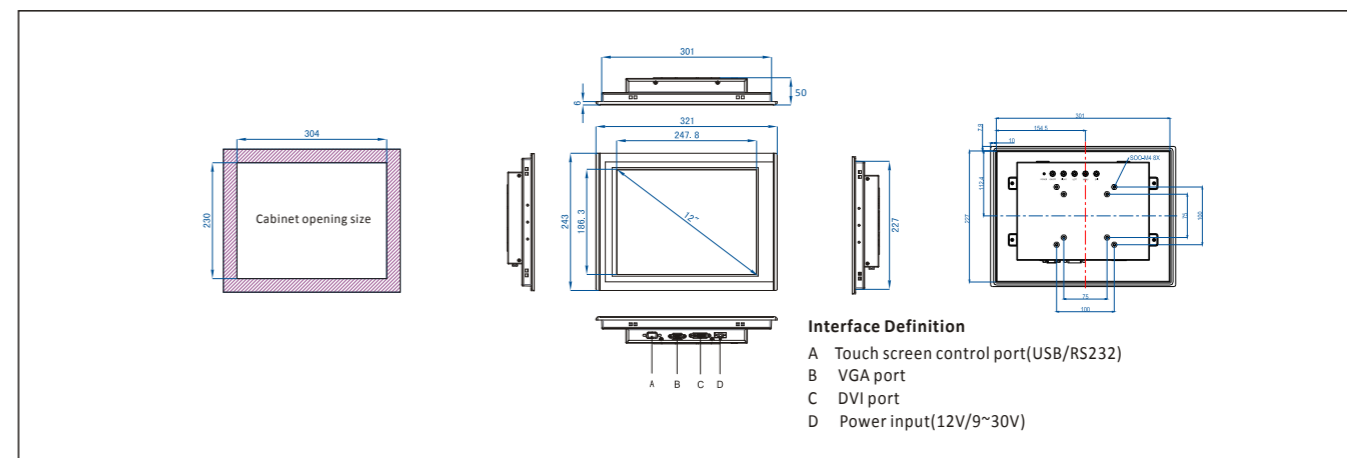
Supports VESA wall mount



OSD control buttons on the rear panel

## Specifications

Institutional		LCD	
Front Panel	Magnesium alloy front panel IP65 degree of protection, steel-type box structure	Size / Type	12.1-inch TFT LCD
Mounting	Embedded panel and VESA wall mounting	Resolution	800×600
Buttons	The back of the machine is equipped with switches, lights, and OSD control buttons	Maximum color	262K
Signal Input	DVI and VGA	Display area	246 × 184.5mm
Communication	COM/USB	Reaction time	16ms
Power Input	12V DC voltage input, optional transfer 12VDC to 220VAC power adapter, optional 24V DC power input	Backlit	LED
Front Color	Silver (plus PET film)	Backlit MTBF	50,000 hours
Overall size	321×243×50mm(W×H×D)	Lattice	0.3075×0.3075
Case Size	301×227×44mm(W×H×D)	Brightness	300cd/m <sup>2</sup>
Hole Size	304×230 mm(W×H)	Contrast ratio	500 : 1
Weight	2.8kg	Max view angle	(H)130/(V)120
Environmental		Touch screen	
Working tem.	-20~+60℃ Electronic disk	Size / Type	12.1-inch five-wire analog resistive
Storage tem.	-30~+70℃	Resolution	4096×4096
Relative humidity	10~95%@40℃ No condensation	Response time	<5ms
Vibration	50~500Hz, 1.5G, 0.15mm Peak to peak	Surface hardness	3H
Shock	10G/peak 11ms sec	Click life	250g efforts, 35 million times
		Stroke life	250g efforts, 5 million times
		Transmittance	More than 81%



## Ordering Information

PANEL5000-A122-TS	12.1-inch TFT LCD/Resolution 800×600/VGA/DVI/Resistive Touch Screen/COM/DC 12V/adapter
PANEL5000-A122-TU	12.1-inch TFT LCD/Resolution 800×600/VGA/DVI/Resistive Touch Screen/USB/DC 12V/adapter
PANEL5000-A122-C	12.1-inch TFT LCD/Resolution 800×600/VGA/DVI/Glass/DC 12V/adapter
PANEL5000-A122-TSW	12.1-inch TFT LCD/Resolution 800×600/VGA/DVI/Resistive Touch Screen/COM/DC24V
PANEL5000-A122-TUW	12.1-inch TFT LCD/Resolution 800×600/VGA/DVI/Resistive Touch Screen/USB/DC24V
PANEL5000-A122-CW	12.1-inch TFT LCD/Resolution 800×600/VGA/DVI/Glass/DC24V