

PANEL5000-A2152

21.5-inch Resistive touch screen industrial monitor

Touch Screen Monitor



Specifications

LCD

Size / Type : 21.5" TFT LCD

Resolution : 1920×1080

Backlit : LED with 30000 hours

Brightness : 250cd/sqm

Viewing Area : 476.64×268.11mm

Viewing angle : 178(H)/150(V)

Touch Screen

Size / Type : 21.5 inch five-wire resistive screen

Communication : USB or RS232

Resolution : 4096×4096

Click life : 250g efforts, 35 million times

Draw life : 250g efforts, 5 million times

Transmittance : More than 81%

Institutional

Front Panel : Aluminum-magnesium alloy die-casting, cover with PET film, IP65 degree of protection

Box structure : High-strength sheet metal structure, high temperature paint handling

Indicators : Power switch and indicators at the back panel

Signal input : Supports VGA and DVI

Mounting : Supports Panel and VESA mounting

Overall size : 550×342×60 mm(W×H×D)

Case Size : 530×322×52 mm(W×H×D)

Hole Size : 553×325mm(W×H)

Weight : 7.04kg

Power and Environmental

Working tem. : 0~+50°C (Electronic disk)

Storage tem. : -30~+70°C

Relative humidity : 10~95%@40°C (No condensation)

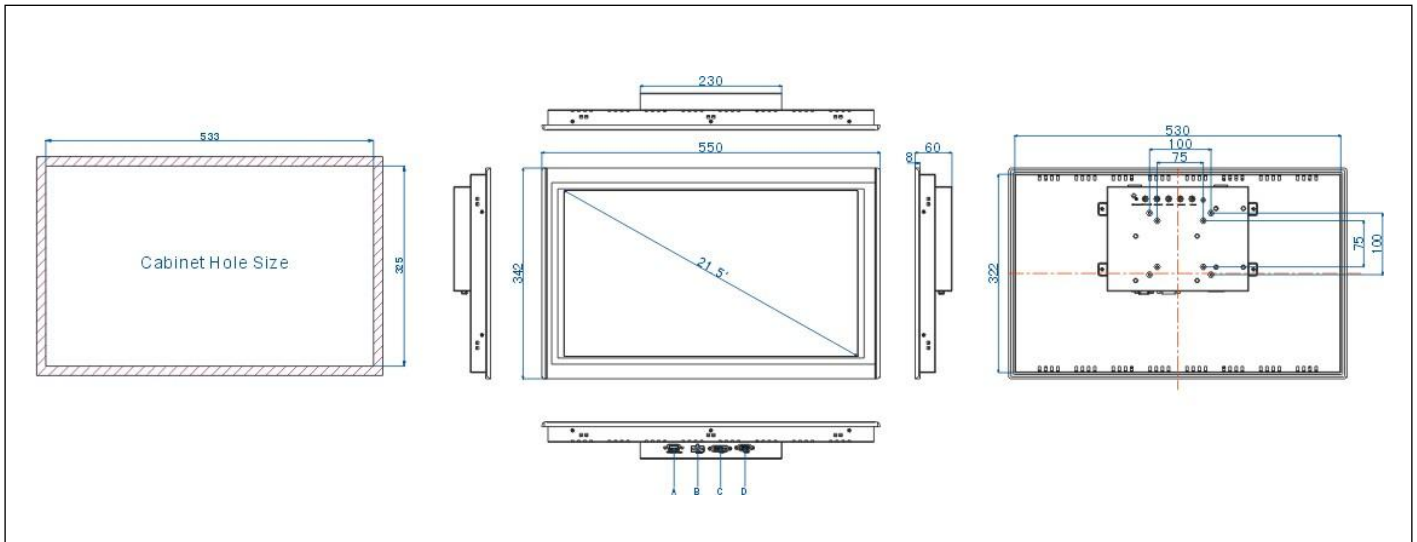
Vibrating : 50~500Hz, 1.5G, 0.15mm Peak to peak

Shock : 10G/peak (11ms sec)

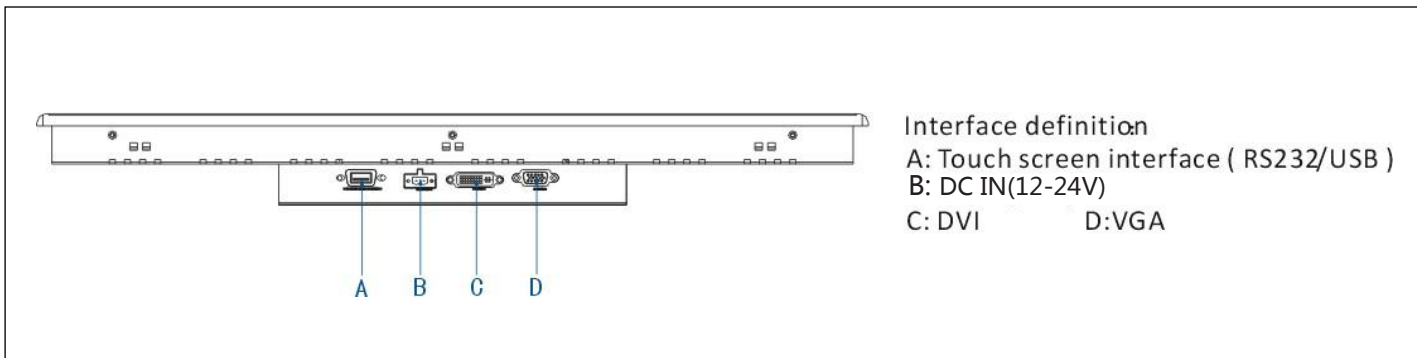
Power in : DC 12-24V

Consumption : 17 watt

Dimensions



I/O definition



Ordering Information

PANEL5000-A2152-T(U) : 21.5 inch TFT LCD/Resolution 1920x1080/Resistive touch screen/USB/DVI/VGA/ DC12-24V

PANEL5000-A2152-C : 21.5 inch TFT LCD/Resolution 1920x1080/without touch screen/DVI/VGA/DC12-24V

Packing List:

Hook: 8*Hooks apply to Thickness=1mm~1.2mm

Terminal : 2pin Phoenix terminal

VGA Cable: 1.8M

USB Cable : 1.8M

Optional Equipment:

Adapter: 12V/3.33A,40W 2pin Phoenix terminal

Chinese Standard Power Line: 1.8M/3M/5M

VGA Cable: 3M/5M

USB Cable: 3M/5M

DVI Cable: 1.8M/3M/5M