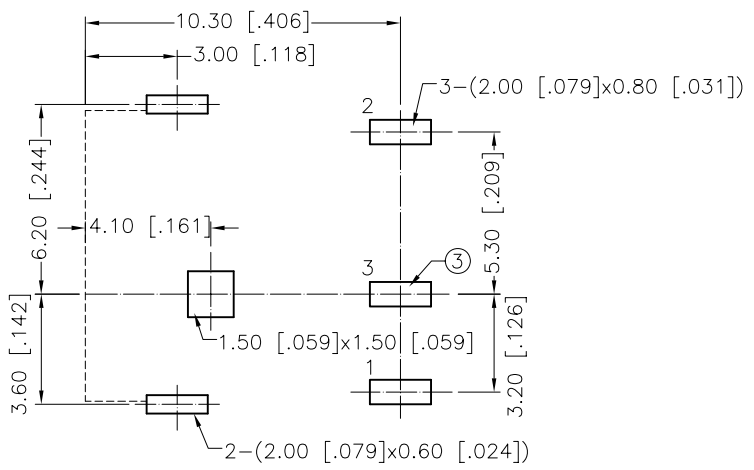
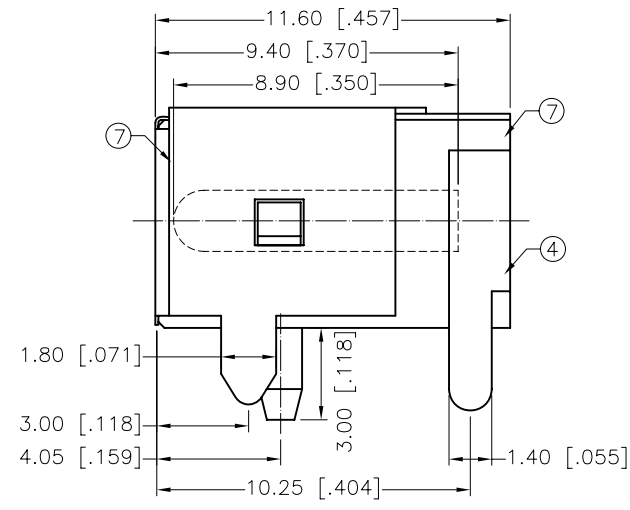
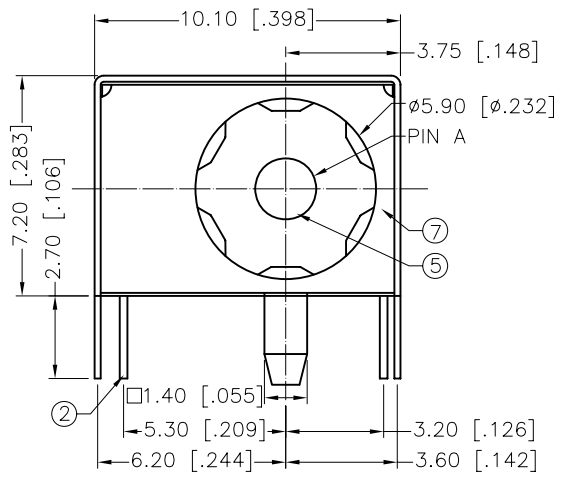


RoHS

REV.	ECN. NO.	NAME	DATE



RECOMMENDED PCB LAYOUT (TOP VIEW)
 THICKNESS=1.60[.063] TOLERANCE=±0.05 [.002]

PIN A	SCHEMATIC
φ2.00	
φ2.50	
φ1.65	

PROPOSAL

LTR	PART NAME	Q'TY	MATERIAL	REMARK
7	COAT	1	COPPER ALLOY	MB: Ni Ni PLATED
6	CONTACT FOOT	1	COPPER ALLOY	MB: Ni Ni PLATED
5	PIN	1	COPPER ALLOY	MB: Ni Sn PLATED
4	CONTACT FOOT	1	COPPER ALLOY	MB: Ni Ag PLATED
3	CURVE PIECE	1	COPPER ALLOY	MB: Ni Ag PLATED
2	SPRING PIECE	1	COPPER ALLOY	MB: Ni Ag PLATED
1	HOUSING	1	TEMPERATURE, UL 94V-0	COLOR: BLACK

TEKCON [®] ELECTRONICS		TITLE	DC POWER JACK	
(A4)		DWG.NO.		
APP.		TOLERANCE UNLESS OTHERWISE SPECIFIED		
CHK.		UNIT:	LINEAR	0.0 ±0.38 [.00 ±.015]
DR.		mm [inch]	ANGLES	0.00±0.30 [.000±.012]
DWG.PATH:		SCALE	2.5:1	SHEET 1 OF 1 REV: 1