

17" SXGA AFOLUX Panel PC

AFL-17D-GM45

Intel® Core 2 Duo T9400 2.53GHz Processor (max.)

AFL-17D-N270

Intel® Atom™ N270 1.6GHz Processor

Digital Camera: 300K Camera with Low Light Functionality



Deep Glossy Black Surface

5 key keypad



(For GM45 Systems)



Accessible CF Card



Convenient USBs in the side



Built-in ODD (Optional)



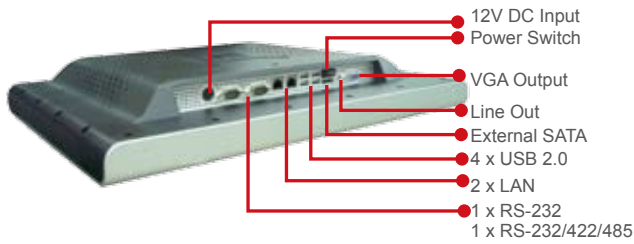
Specifications

Model	AFL-17D-GM45-R10	AFL-17D-N270-R10 Fanless
LCD Size	17"	
Max Resolution	1280 x 1024	
Brightness (cd/m ²)	300	
Contrast Ratio	800 : 1	
LCD Color	16.7M	
Pixel Pitch (mm)	0.264(H) x 0.264(V)	
Viewing Angle (H-V)	160°/160°	
Backlight MTBF	50000 hrs	
SBC Model	AFLMB2-GM45-R10	AFLMB2-N270-R10
CPU	Intel® Core 2 Duo T7500 2.2GHz CPU (max.)	Intel® Atom™ process N270 1.6GHz CPU
Chipset	Intel® GM45 Chipset + ICH9M	Intel® 945GSE + ICH7M
RAM	Supports two 667MHz or 800MHz DDRII SO-DIMM(4GB max.)	Supports one 400MHz or 533MHz DDRII SO-DIMM (2GB Max.)
I/O Ports	1 x RS232 COM Port 1 x RS-232/422/485 COM port 2 x RJ-45 for Giga LAN 4 x USB 2.0 1 x Power Switch 1 x Reset Button 1 x HDMI port 1 x Audio port 1 x VGA port 1 x Power Jack	1 x RS232 COM Port 1 x RS-232/422/485 COM port 2 x RJ-45 for Giga LAN 4 x USB 2.0 1 x Power Switch 1 x Reset Button 1 x Audio Port 1 x VGA Port 1 x Power Jack
SSD	CF Typell	
Watchdog Timer	Software programmable supports 1~255 sec. System reset	
Audio	AMP 3W + 3W(internal speaker)	
Camera Module	300K pixel with Digital Microphone	
Expansion	1 x Wireless Lan 802.11 b/g/n Module (internal PCIe mini card interface) 1 x Bluetooth Function (internal USB interface, Bluetooth V2.0)	1 x Wireless Lan 802.11 b/g Module (internal PCIe mini card interface) 1 x Bluetooth Function (internal USB interface, Bluetooth V2.0)
Drive Bay	1 x 2.5" SATA HDD bay, 1 x Slim Type CD-ROM bay	
Optional HSUPA Module (support GSM 850, EGSM 900, DCS 1800 & 1900)	1 x HSUPA Mobile Module (USB Interface)	
Construction Front Panel	ABS + PC Plastic front frame	
Membrane Keypad	LCD On/Off, Brightness Up/Down, Volume Up/Down	
LED Function	1 x Power ON/OFF LED on Front Panel	
Mounting	Panel, Wall, Rack, Stand and Arm VESA 100mm x 100mm	
Front Panel Color	Black C	
Dimension (WxHxD) (mm)	410 x 349 x 83	
Operation Temperature (°C)	0°C ~40°C With HDD 0°C ~45°C With CF Card or SATA interface 2.5" SSD HDD	0°C ~40°C with SATA HDD -10°C ~50°C With CF Card or SATA interface 2.5" SSD HDD
Storage Temperature (°C)	-20°C ~60°C	
N/G Weight	6.2 Kg	
IP Level	Front Frame IP64	
Safety & EMC	CE / FCC / CB / CCC	
Touch Screen	Resistive Type 5-Wire (Touch controller IC is on board) or Capacitive type touch screen without HDD bay	
Power Adapter	P/N: 63000-FSP150AHA312-RS 150W Power Adapter Input: 90VAC~264VAC, 50/60Hz Output: 12VDC	P/N: 63000-FSP0841ADC11118-RS 84W Power Adapter Input: 90VAC~264VAC, 50/60Hz Output: 12VDC
Power Requirement	12VDC	
Power Consumption	90W	58W

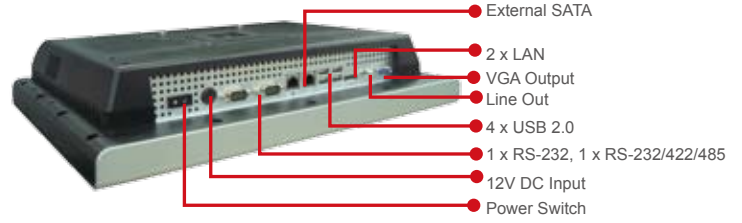
1 Automation
2 Point of Service
3 Digital Signage
4 RISC-based Solutions
5 Medical Solutions

Fully Integrated I/O

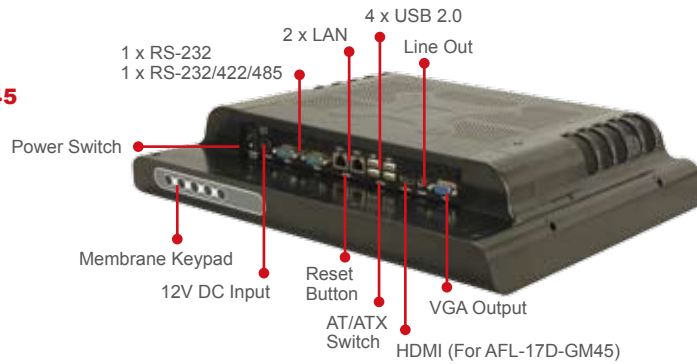
• AFL-17A-915



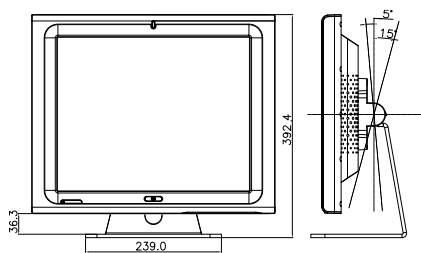
• AFL-17B-690 / AFL-17B-915



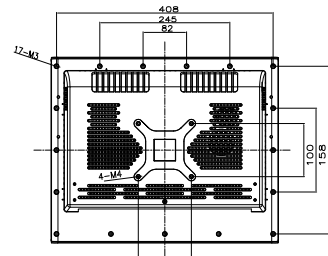
• AFL-17D-N270/AFL-17D-GM45



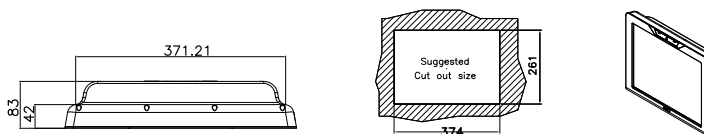
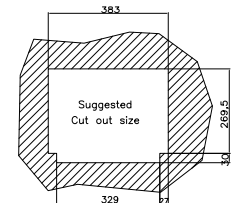
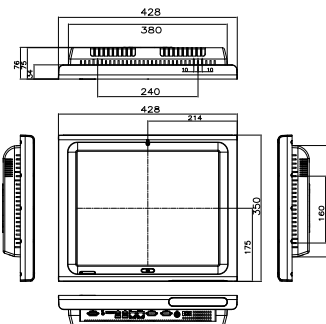
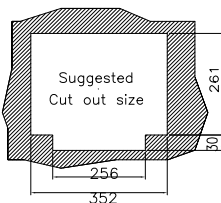
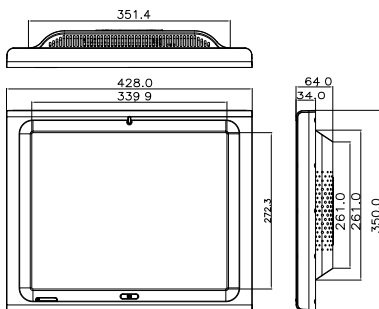
Dimensions (Unit: mm)



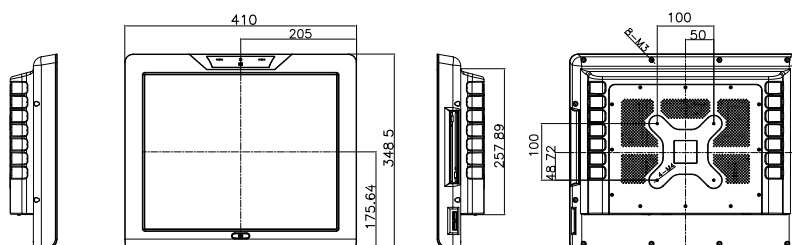
AFL-17A



AFL-17B/17C



AFL-17D



1
Automation

2
Point of Service

3
Digital Signage

4
RISC-based Solutions

5
Medical Solutions