

19" SXGA AFOLUX Panel PC

AFL-19A-915

Intel® Celeron® M 1.0GHz with 512KB L2 cache Processor

AFL-19B-915

Intel® Pentium® M 2GHz (Max.) Processor

AFL-19C-9652

Intel® Core™2 Duo T7500 2.2GHz processor (Max.)

AFL-19B-AM2

AMD Athlon™ 64 x 2 Dual Core processor 5200+ (Max.)

Long Term Support



Features



- 19" TFT LCD with resistive touch screen
- System memory up to 2 GB SDRAM
- Built-in 802.11b/g (802.11 b/g/n) Wireless LAN
- Built-in Bluetooth module
- Built-in two 3 W speakers
- Built-in HSUPA module for mobile connection
- One compact flash slot
- IP 64 compliant front panel



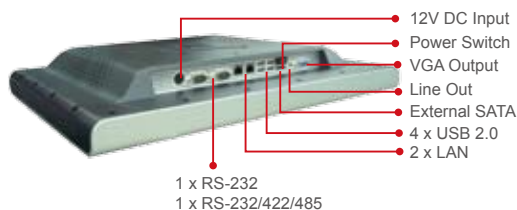
Specifications



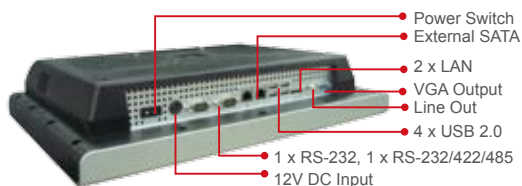
Model	AFL-19A-915-R11	AFL-19B-915-R11	AFL-19C-9652	AFL-19B-AM2
LCD Size	19"			
Max Resolution	1280 x 1024			
Brightness (cd/m ²)	300			
Contrast Ratio	800 : 1			
LCD Color	16.7M			
Pixel Pitch (mm)	0.294 (H) x 0.294 (V)			
Viewing Angle (H-V)	160° / 160°			
Backlight MTBF	50000 hrs			
SBC Model	AFLMB-9152-R11		AFLMB-9652-R10	AFLMB-690EAM2
CPU	Intel® Celeron® M process 1Gz with 512KB L2 Cache processor CPU	Intel® Pentium® M process (up to 2.0GHz) processor CPU Intel® Celeron M process CPU	Intel® Celeron® M550 2.0GHz CPU Intel® Core 2 Duo T7500 2.2GHz CPU	AMD® Athlon 64 X2 Dual-Core Processor CPU
Chipset	Intel® 915 GME		Intel® GME965	AMD 690E
RAM	Supports two 400MHz or 533MHz DDRII SO-DIMM (2GB Max.)		Supports two 400MHz DDRII SO-DIMM (4GB Max.)	Supports one 400MHz or 533MHz or 667MHz or 800MHz DDRII SO-DIMM (2GB Max.)
I/O Ports	1 x RS232 COM Port 1 x RS-232/422/485 COM port 2 x RJ-45 for Giga LAN 4 x USB 2.0 1 x Power Switch	1 x Reset Button 1 x External SATA 1 x Audio Port 1 x VGA Port 1 x Power Jack	1 x RS232 COM Port 1 x RS-232/422/485 COM port 2 x RJ-45 for Giga LAN 4 x USB 2.0 1 x Power Switch	1 x RS232 COM Port 1 x RS-232/422/485 COM port 2 x RJ-45 for Giga LAN 4 x USB 2.0 1 x Power Switch
SSD	CF Typell			
Watchdog Timer	Software programmable supports 1~255 sec. System reset			
Audio	AMP 3W + 3W (internal speaker)			
Expansion	1 x Wireless Lan 802.11 b/g Module (internal Mini PCIe interface) / 1 x Bluetooth Function (internal USB interface, Bluetooth V2.0)			
Drive Bay	1 x 2.5" SATA HDD bay			
Optional HSUPA Module (support GSM 850, EGSM 900, DCS 1800 & 1900)	1 x HSUPA Mobile Module (USB Interface)			
Construction Front Panel	ABS + PC Plastic front frame			
Membrane Keypad	N/A		OSD Keypad below the Front Panel	N/A
LED Function	1 x LED on Front Panel for Power ON/OFF			
Mounting	Panel, Wall, Stand and Arm VESA 100mm x 100mm Sliver (877U) & Gray (ABSA2037)			
Front Panel Color	Sliver (877U) & Gray (ABSA2037)			
Dimension (WxHxD) (mm)	470 x 383 x 67		470 x 383 x 79	
Operation Temperature (°C)	0°C ~40°C With HDD / 0°C ~45°C With CF Card or SATA interface 2.5" SSD HDD			
Storage Temperature (°C)	-20°C ~60°C			
N/G Weight	5.8 Kg		6.2 Kg	
IP Level	Front Frame IP64			
Safety & EMC	CE / FCC / CB / CCC			
Touch Screen	Resistive Type 5-Wire (Touch controller IC is on board)			
Power Adapter	P/N: 63000-FSP0841ADC11118-RS 84W Power Adapter Input: 90VAC~264VAC, 50/60Hz Output: 12VDC	P/N: 63000-FSP096AHB-RS 96W Power Adapter Input: 90VAC~264VAC, 50/60Hz Output: 12VDC	P/N: 63000-FSP096AHB-RS 96W Power Adapter Input: 90VAC~264VAC, 50/60Hz Output: 12VDC	P/N: 63000-FSP150AHA312-RS 150W Power Adapter Input: 90VAC~264VAC, 50/60Hz Output: 12VDC
Power Requirement	12VDC			
Power Consumption	68W	82W	88W (Intel® T7500, 2GB memory, 80G HDD)	124W

Fully Integrated I/O

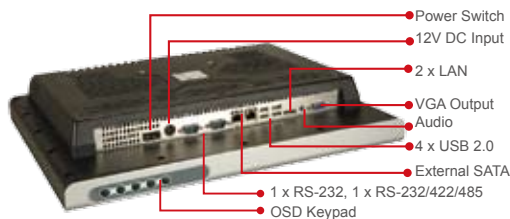
• AFL-19A-915



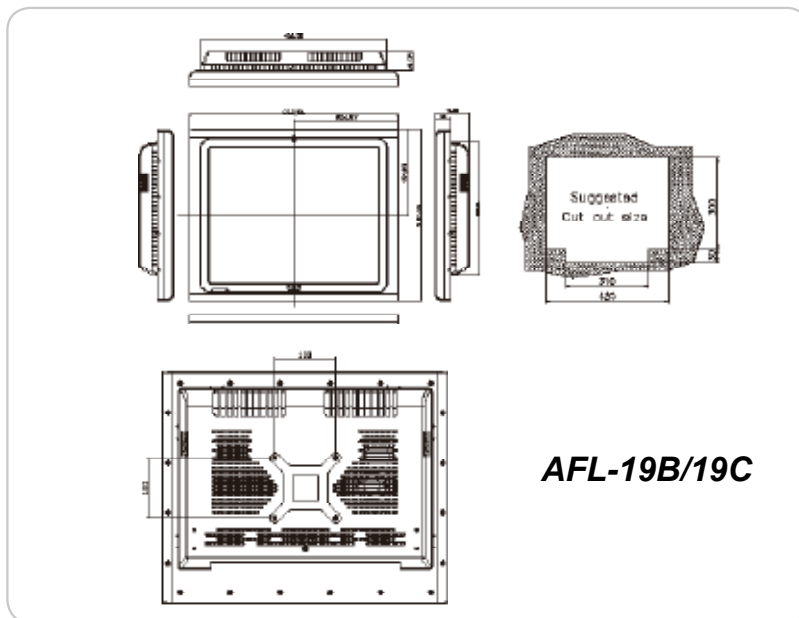
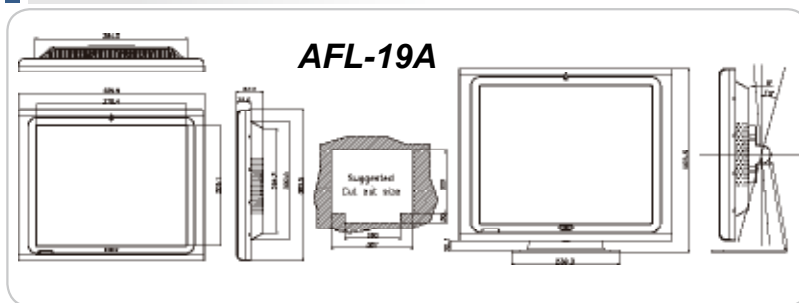
• AFL-19B-915 / AFL-19B-AM2



• AFL-19C-9652



Dimensions (Unit: mm)



Ordering Information

Part Number	Description
AFL-19A-915-10G/WT-R/1GB/**(HSUPA01)-R11	19" 300cd/m ² SXGA fanless panel PC w/ Celeron® M 1.0GHz 512K cache CPU,DDR2 RAM,802.11 b/g wireless module,touch screen,Bluetooth,RoHS
AFL-19B-915-PM16G/WT-R/1GB/**(HSUPA01)-R11	19" 300cd/m ² SXGA panel PC w/ Pentium® M 1.6GHz CPU, 1GB DDR2 RAM, 802.11 b/g wireless module, touch screen, Bluetooth, RoHS
AFL-19B-915-CM370/WT-R/1GB/**(HSUPA01)-R11	19" 300cd/m ² SXGA panel PC w/ Celeron® M 1.5GHz CPU, 1GB DDR2 RAM, 802.11 b/g wireless module, touch screen, Bluetooth, RoHS
AFL-19B-AM2/WT-R/1GB/**(HSUPA01)-R10	19" 300cd/m ² SXGA panel PC w/ AMD Athlon™ 64 X2 Dual-Core 5050e 2.6GHz CPU, 1GB DDR2 RAM, 802.11 b/g/n wireless module, touch screen,Bluetooth, ROHS
AFL-19C-9652-CM550/WT-R/1GB/**(HSUPA01)	19" 300cd/m ² SXGA panel PC with Celeron® M 550 2.0GHz CPU,1GB DDR2 RAM,802.11 b/g/n wireless module,touch screen,Bluetooth,RoHS
AFL-19C-9652-T7500/WT-R/2GB/**(HSUPA01)	19" 300cd/m ² SXGA panel PC with Core™2 Dou T7500 2.2GHz CPU,2GB DDR2 RAM,802.11 b/g/n wireless module,touch screen,Bluetooth,RoHS

Packing List

Item	Part Number	Q'ty	Specification
Screws Pack	44013-030041-RS	4	M3,5mm
Power Adpater	63000-FSP0841ADC11118-RS 63000-FSP096AHB-RS 63000-FSP150AHA312-RS	1	90~264V AC; 12V DC; 84W (19A-915) 90~264V AC; 12V DC; 96W (19B-915, 19C-9652) 90~264V AC; 12V DC; 150W (19B-AM2)
Power Cord	32000-000002-RS	1	1750mm; European Standard
Utilities CD	7B000-000087-RS	1	
Touch Pen	XTR104-0002-RS	1	

ISMM Support Functions

	Voltage	Fan	Smart Fan	Temperature	WDT	Cash Drawer
AFL-17A(B)-915	V	V	V	V	V	
AFL-17B-AM2	V	V	V	V	V	
AFL-17C-9652	V	V	V	V	V	

Options

Model	AFL-19A-915	AFL-19B-915	AFL-19C-9652	AFL-19B-AM2
Panel mounting kit	AFLPK-19		AFLPK-19B	
Wall mounting kit			AFLWK-19	
Rack mounting kit			N/A	
ARM			ARM-11-RS / ARM-31-RS	
Stand			STAND-A19 / STAND-B19 / STAND-210-RS	
OS: Win CE 5.0 (128 MB CF card)	AFLCF-19-915-CE-R11			N/A
OS: Win CE 6.0 (128 MB CF card)	AFLCF-19-915-CE060-R11			N/A
OS: Win XPE (1 GB CF card)	AFLCF-19-915-XPE-R11		AFLCF-19-9652-XPE	AFLCF-19-690-XPE
OS: LINUX (2 GB CF card)	AFLCF-19-915-LNX-R10		AFLCF-19-9652-LNX-R10	AFLCF-19-690-LNX-R10
Hybrid Card Reader			AFLP-19AMSI-U	
Magnetic Stripe Reader			AFLP-19AMSR-U	
DC 12V Input UPS	AUPS-B10-R10 (VESA 100, DC 12V input, 12V output 100W UPS module with 3800mAh)			N/A
DC 9~36V Input UPS	AUPS-B20-R10 (VESA 100, DC 9~36V input, 12V output 100W UPS module with 3800mAh)			N/A