

**Industrial Aluminum PPC-37 Series**

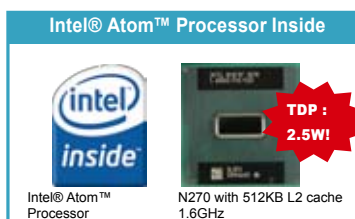
**PPC-3708**

**Intel® Celeron® M/Intel® Atom™ N270 Processor with 8.4" SVGA TFT LCD and Touchscreen**



**Features**

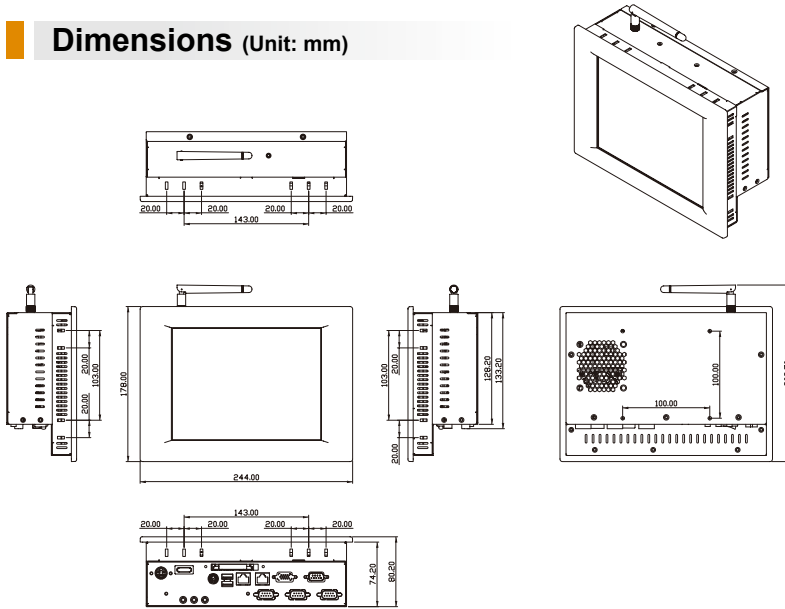
1. 8.4" TFT SVGA LCD
2. Supports 2 GB (max.) 400/533 MHz DDR2 SO-DIMM
3. Dual Ethernet
4. Fanless and ultra-low power consumption
5. Optional 802.11 b/g wireless LAN module
6. One CompactFlash® Type II socket
7. IP 65 compliant aluminum die-casting front panel



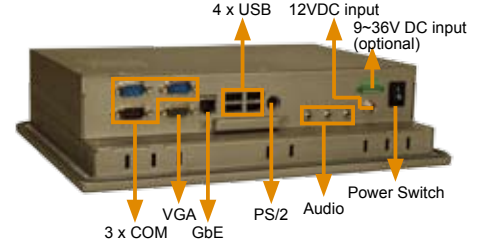
**Specifications**

		PPC-3708GHS/8522	PPC-3708GHS/9452	PPC-3708A/N270 <span style="float: right;">Fanless</span>
Display	LCD Size	8.4"		
	Max Resolution	800(W) x 600(H)		
	Brightness (cd/m <sup>2</sup> )	400		
	Contrast Ratio	450:1		
	LCD Color	262K		
	Pixel Pitch (mm)	0.213(H) x 0.213(V)		
	Viewing Angle (V-H)	100/120		
Backlight MTBF (hrs)	50,000			
Motherboard	SBC Model	NANO-8522	NANO-9452	NANO-945GSE-N270
	CPU	Socket 479 2.1GHz (max.) Intel® Pentium® M Celeron M with 400 MHz 1 GHz or 600 MHz Intel Celeron zero cache CPU	Socket M Intel Core2 Duo, Core Duo, Core Solo with 667MHz FSB Intel® Celeron® M 533MHz FSB	Intel® Atom™ process N270 1.6GHz CPU
	Chipset	Intel 852GM + ICH4	Intel 945GM + ICH7M	Intel 945GSE + ICH7M
	RAM	Supports one 266/200MHz DDR SO-DIMM (1GB Max.)	Supports one 400/533/667 MHz DDRII SO-DIMM (1GB Max.)	Supports one 400/533MHz DDRII SO-DIMM (2GB Max.)
I/O Ports and Switches		2 x RS232 COM Port 1 x RS-232/422/485 Port 1 x RJ-45 for LAN Port 4 x USB 2.0 1 x VGA Port 1 x Audio (Line-in, Line-out, MIC-in) 1 x PS/2 (KB/MS) 1 x 12VDC input Power Jack 1 x Power Switch 1 x 9~36VDC input Terminal block (Optional) 1 x 2.5" SATA/IDE HDD Bay	2 x RS232 COM Port 1 x RS-232/422/485 Port 2 x RJ-45 for LAN Port 2 x USB 2.0 1 x VGA Port 1 x Audio (Line-in, Line-out, MIC-in) 1 x PS/2 (KB/MS) 1 x 12VDC input Power Jack 1 x Power Switch 1 x 2.5" SATA/IDE HDD Bay With anti-shook	2 x RS232 COM Port 1 x RS-232/422/485 Port 2 x RJ-45 for LAN Port 2 x USB 2.0 1 x VGA Port 1 x Audio (Line-in, Line-out, MIC-in) 1 x PS/2 (KB/MS) 1 x 12VDC input Power Jack 1 x Power Switch 1 x 2.5" SATA/IDE HDD Bay With anti-shook
Drive Bay	HDD Drive Bay			
	SSD		CF Type II	
Extension Slot		N/A	1 x Wireless LAN 802.11 b/g Module (internal Mini PCIe interface)	
Physical	Construction Front Panel	Aluminum		
	Construction Chassis	Heavy-duty Steel		
	Mounting	Panel, Wall, Rack, Stand and Arm VESA 100mm x 100mm		
	Front Panel Color	Silver (Pantone 8001C)		
	Dimension (WxHxD) (mm)	243.57 x 178 x 80.2	243.57 x 178 x 80.2	243.57 x 178 x 80.2
Environment	Net Gross Weight	2.2 Kg / 4.4 Kg	2.2 Kg / 4.4 Kg	2.2 Kg / 4.4 Kg
	Operation Temperature (°C)	-10°C ~50°C		
	Storage Temperature (°C)	-20°C ~60°C		
	Vibration	5~17Hz, 0.1" double amplitude displacement 17~640Hz, 1.5G acceleration peak to peak		
	Shock	10G acceleration part to part (11ms)		
Touch Screen		Resistive Type 4-Wire with RS-232 interface		
Power Supply	AC / DC Power Adapter	For BGA Model - P/N: 63000-FSP0601AD101C746-RS - 60W Power Adapter - Input: 90VAC~264VAC, 50/60Hz - Output: 12VDC	Power Adapter - P/N: 63000-FSP0841ADC11118-RS - 84W Power Adapter - Input: 90VAC~264VAC, 50/60Hz - Output: 12VDC	Power Adapter - P/N: 63000-FSP0601AD101C746-RS - 60W Power Adapter - Input: 90VAC~264VAC, 50/60Hz - Output: 12VDC
		For Socket Model - P/N: 63000-FSP0841ADC11118-RS - 84W Power Adapter - Input: 90VAC~264VAC, 50/60Hz - Output: 12VDC		
Front Panel Protection		IP65 Compliant		
Certificate		Meets CE, FCC		
Ethernet		Intel 82551ER for 10/100Mbps	2 x PCIe Broadcom BCM5787M GbE chipsets with ASF2.0 remote control support	Dual Realtek RTL8111CP GbE Controllers
Audio		AC' 97 2.3 Realtek ALC 655	AC' 97 2.3 Realtek ALC 883	Support by Audio Kit (AC'97 & HD) 5.1 channel AC' 97 2.3 Realtek ALC 655

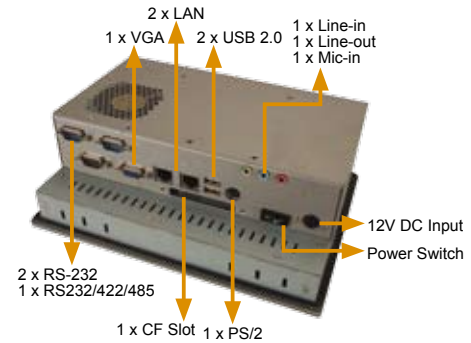
**Dimensions (Unit: mm)**



**▼ PPC-3708GHS/8522**

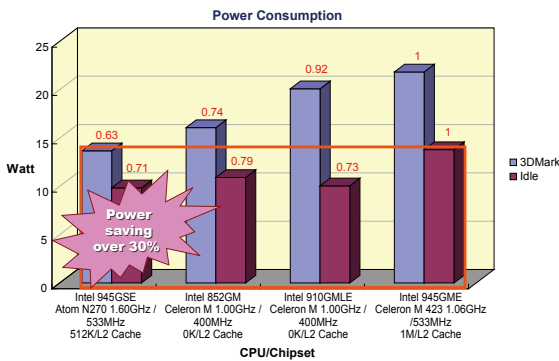


**▼ PPC-3708A, PPC-3708GHS/9452**



**● Inte® Atom™ Power Efficiency**

New Microarchitecture design for Intel® Atom™ CPU reduces 50% power consumption.



**Different Type for Different User**

IEI always close to customer's needs through offering multiple choices.

BGA type CPU

With low power consumption, BGA type enhances thermal performance and system stabilities significantly.

Socket type CPU

For performance-oriented users, socket type allows customers to easily upgrade processors from Pentium® M 1.1GHz to 2.1GHz.

**Packing List**

Description	Part Number	Amount
CD-ROM Installation Kit	19B00-000032-RS	1
Power Cord	32000-000002-RS	1
PS/2 Cable	32000-000138-RS	1
Jumper Pack	33100-000033-RS	1
Power Adapter (For GS Model Only)	63000-FSP0601AD101C746-RS - 60W 63000-FSP0841ADC11118-RS - 84W	1
Screw Kit	19600-000205-RS	1
HDD IDE Cable	32000-076800-RS (PPC-3708GHS/8522)	1
Panel Mounting Kit	PK-084M	4
Wall Mounting Kit	WK-190MS-R10	1
User Manual & Driver CD		1
Touch Screen Driver CD / Touch Pen (For T-R model only)		1

**Options**

Panel Mounting Kit	PK-084M
Wall Mounting Kit	WK-190MS-R10
Rack mount kits	RK-084MS-R10
LCD Monitor Arm	ARM-11-RS
LCD Monitor Stand	STAND-100-RS
Din Mounting Kits	DK-084MS

**Ordering Information**

Platform	Model	Description
Intel® 852GM Platform	PPC-3708GHMS/8522-1GZ/T-R/512MB-R12	8.4" 400 cd/m <sup>2</sup> SVGA TFT Panel PC with NANO-8522,CPU Celeron M 1.0GHz zero cache,Silver Color,512MB DDR 400MHz,9~36V DC Input and Touch Screen,RoHS
	PPC-3708GHS/8522-1GZ/T-R/512MB-R12	8.4" 400 cd/m <sup>2</sup> SVGA TFT Panel PC with NANO-8522,CPU Celeron M 1.0GHz zero cache,Silver Color,512MB RAM and Touch Screen,RoHS
	PPC-3708GHMS/8522-CM370/T-R/512MB-R12	8.4" 400 cd/m <sup>2</sup> SVGA TFT Panel PC with NANO-8522,CPU Celeron M 1.5GHz,Silver Color,512MB DDR 400MHz,9~36V DC Input and Touch Screen,RoHS
	PPC-3708GHS/8522-CM370/T-R/512MB-R12	8.4" 400 cd/m <sup>2</sup> SVGA TFT Panel PC with NANO-8522,CPU Celeron M 1.5GHz,Silver Color,512MB RAM and Touch Screen,RoHS
Intel® 945GM Platform	PPC-3708GHS/NANO-9452-CM440/T-R/1GB	8.4" 400 cd/m <sup>2</sup> SVGA TFT Panel PC with NANO-9452,CPU Celeron M 1.86Ghz,Silver color and Touch screen,w/1GB DDR2 RAM,RoHS
	PPC-3708GHS/NANO-9452-CM440/WT-R/1GB	8.4" 400 cd/m <sup>2</sup> SVGA TFT Panel PC with NANO-9452,CPU Celeron M 1.86Ghz,Silver color and Touch screen,802.11b/g,w/1GB DDR2 RAM,RoHS
	PPC-3708GHS/NANO-9452-T2300E/T-R/1GB	8.4" 400 cd/m <sup>2</sup> ; SVGA TFT Panel PC with NANO-9452,CPU Celeron M 1.66Ghz,Silver color and Touch screen,w/1GB DDR2 RAM,RoHS
	PPC-3708GHS/NANO-9452-T2300E/WT-R/1GB	8.4" 400 cd/m <sup>2</sup> ; SVGA TFT Panel PC with NANO-9452,CPU Celeron M 1.66Ghz,Silver color and Touch screen,802.11b/g,w/1GB DDR2 RAM,RoHS
Intel® Atom™ Platform	PPC-3708A/NANO-N270/T-R/1GB-R10	8.4" 400 cd/m <sup>2</sup> SVGA Panel PC with Intel® Atom™ N270 1.6GHz/ 512KB L2 cache processor,1GB DDR2 RAM and touch screen,12VDC input
	PPC-3708A/NANO-N270/WT-R/1GB-R10	8.4" 400 cd/m <sup>2</sup> SVGA Panel PC with Intel® Atom™ N270 1.6GHz/ 512KB L2 cache processor,1GB DDR2 RAM and touch screen,built-in 802.11 b/g wireless with one PCIe mini expansion slot,12VDC input