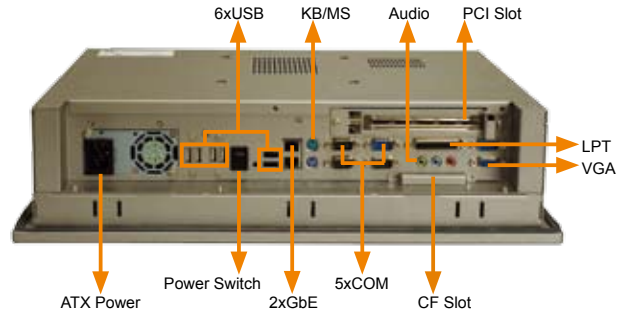


PPC-5190GS



1
Single Board Computer

2
VIDEO CARD

3
Xscale Solution

4
Open HMI

5
Embedded Controller

6
DINO BLADE

7
LCD Product Series

8
Embedded System

9
Industrial Computer Chassis

10
Power Supply

11
Peripheral

Features

1. 19" TFT LCD
2. Intel Pentium 4 / Celeron D CPU support FSB 533MHz up to 2.8GHz
3. DDR 266/333MHz DIMM memory up to 2GB
4. Dual Gigabit Ethernet support
5. One Compact Flash® Type II socket
6. IP 65 compliant aluminum front panel



POS-8520

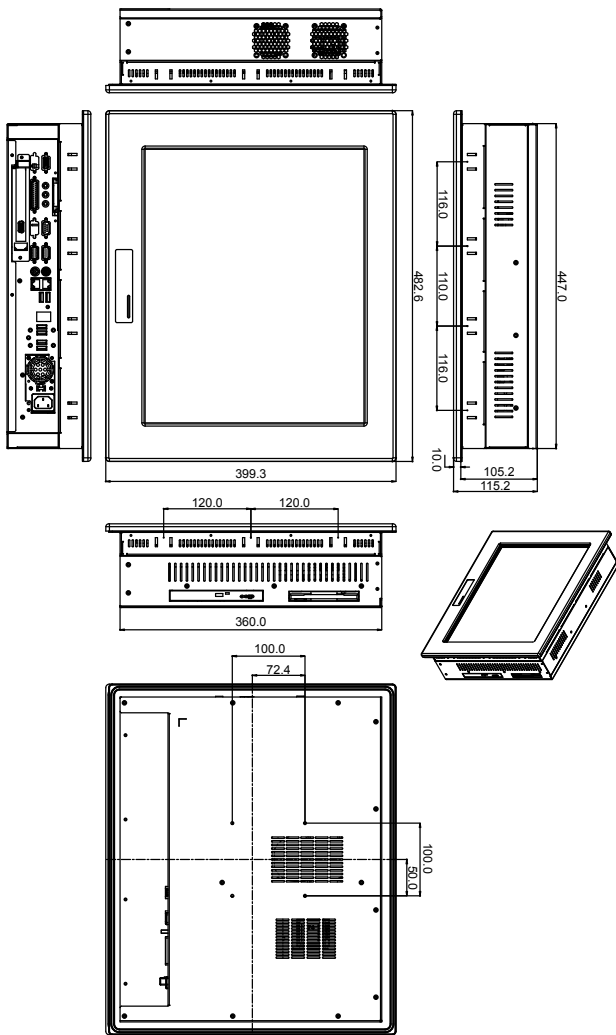
1. Intel® Socket 478 Pentium® 4 CPU support up to FSB 533MHz
2. CRT/LCD VGA integrated in Intel® 852GME
3. DDR 266/333MHz DIMM socket support up to 2GB



Specification

CPU Board	POS-8520	Touch Screen	Optional 5-wire resistive type with RS-232 interface
CPU	<ul style="list-style-type: none"> Socket-478 based Intel® Pentium® 4/Celeron® D support FSB 400MHz up to 2.8GHz 	Power Supply	ATX Power: 180W, ACE-4518AP-RS Input : 90 ~ 240VAC @ 50/60Hz, Output (max) : 3.3V@16.8A, 5V@12A, 12V@10A, -12V@ 0.8A ATX Power : 200W, ACE-4520C-RS Input : 24VDC @ 50/60Hz, Output (max) : 3.3V@12A, 5V@12A, 12V@15.4A, -12V@ 0.8A
Chipset	Intel® 852GME + ICH5	Operating Temp.	0 ~ 50°C
Memory	2 x DDR 266/333MHz DIMM socket up to 2GB	Storage Temp.	-20 ~ 60°C.
VGA	Intel 852GME support dual display	Vibration	<ul style="list-style-type: none"> 5~17Hz 0.1" double amplitude displacement 17~640 Hz 1.5G acceleration peak to peak
SSD	CF Type II	Shock	10G acceleration peak to peak. (11ms)
Drive Bay	<ul style="list-style-type: none"> 1 x 2.5" SATA/IDE HDD bay with anti-shock or 2 x 2.5" SATA/ IDE HDD bay 1 x Slim Type CD-ROM bay 1 x Slim Type FDD bay 	Relative Humidity	5 ~ 95% @ 60° C, non-condensing
Ethernet	2 x Realtek RTL8110S Gigabit Ethernet controller	Net /Gross Weight	12.6/ 18.2 Kg
Audio	AC'97 2.3 Realtek ALC 655	Dimension	483(w) x399 (H) x116(D)mm
I/O	<ul style="list-style-type: none"> 1 x RS-232/422/485 ports 5 x RS-232 ports 6 x USB 2.0 ports 2 x PS/2 ports (KB/MS) 1 x VGA out 1 x LPT 2 x LAN 3 x Audio (Lin-in, Line-out, MIC-in) 2 x IDE 2 x SATA 	LCD	<ul style="list-style-type: none"> Resolution: 1280 x1024 XGA Brightness : 300cd/m2 Contrast Ratio : 700:1 Viewing Angle (H-V):140/130 Backlight MTBF : 50000hrs
Expansion Slot	1 x PCI slot	Front Panel Protection	IP 65 Compliant

Dimensions

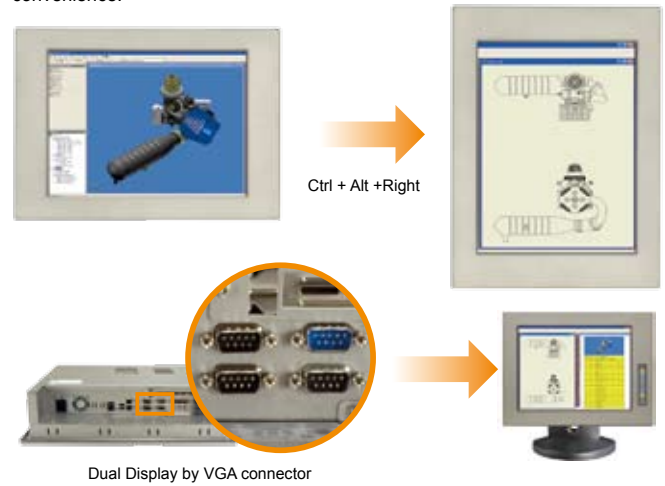


Packing List

Part Number	Description	Amount
32000-000002-RS	Power Cord	1
19100-000037-RS	CPU COOLER	1
19B00-000013-RS	CD-ROM Installation Kit	1
WK-190MS-R10	Wall Mounting Kits	1
PK-190MS-R10	Panel Mounting Kits	1
32200-014506-RS	HDD IDE Cable(44 PIN + 2 x 40PIN)	1
32200-019201-RS	HDD IDE Cable(44 PIN + 40PIN)	1
32000-077000-RS	HDD SATA Cable	1
19B00-000013-RS	FDD Installation Kit	1
41011-0397C0-00-RS	HDD Bracket	1
33100-000079-RS	Jumper Pack	1
19600-000078-RS	Screw Kit	1
	User Manual & Driver CD	1
	Touch Screen Driver CD / Touch Pen (For T-R model only)	1

Screen rotation for more flexibility usage

POS-8520 supports screen rotation function. It's integrated in the Intel windows drivers and could be easily adjusted by GUI or hot keys. Collocating with rotational VESA mount arms, user can switch the screen status to feet needed anytime, or even more, combine dual independent display function to get more convenience.

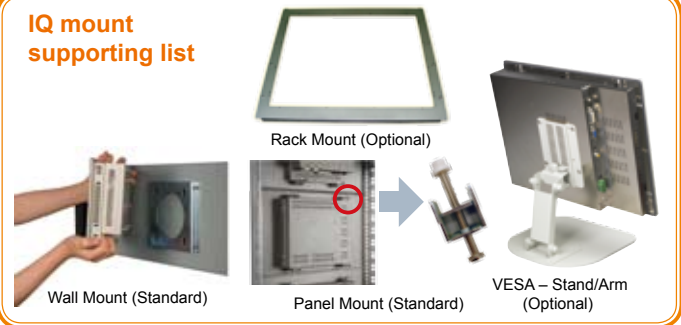


Big screen allows multi-display



PPC-5190GS equips with 19" TFT LCD which is a ideal design for the multi-display requirement such as digital surveillance or multi-operating-system. With multi-display configuration, users can handle more tasks at the same time as well as saving the resource and space.

IQ mount supporting list



Options

WK-190MS-R10	Rack mount kits
ARM-31-RS	LCD Monitor Arm
STAND-100-RS	LCD Monitor Stand

Ordering Information

PPC-5190GS/8520/ACE-4518AP	19" TFT Panel PC with POS-8522 and ACE-4518AP, Silver color, RoHS
PPC-5190GS/8520/ACE-4518AP/T-R	19" TFT Panel PC with POS-8522, ACE-4518AP and touch screen Silver color, RoHS
PPC-5190GS/8520/ACE-4520C	19" TFT Panel PC with POS-8522 and ACE-4520C, Silver color, RoHS
PPC-5190GS/8520/ACE-4520C/T-R	19" TFT Panel PC with POS-8522, ACE-4520C and touch screen Silver color, RoHS

1 Single Board Computer

2 VIDEO CARD

3 Xscale Solution

4 Open HMI

5 Embedded Controller

6 DINO BLADE

7 LCD Product Series

8 Embedded System

9 Industrial Computer Chassis

10 Power Supply

11 Peripheral