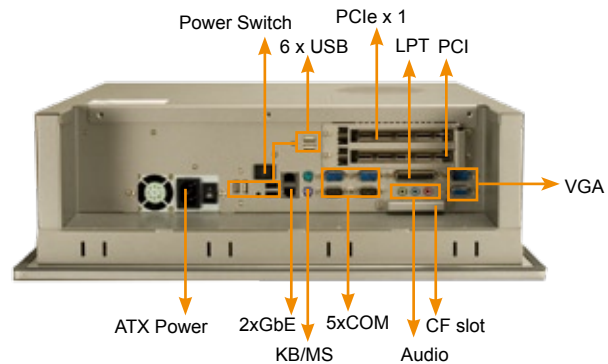
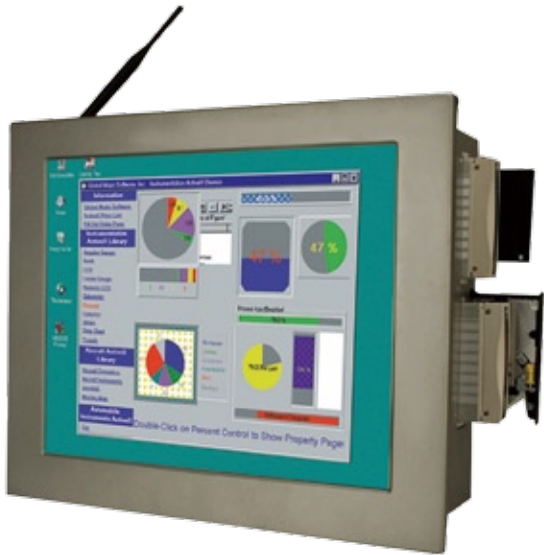


# PPC-5290GS

LGA775 Pentium® 4 / Celeron® D Panel PC with 19" TFT LCD



## Features

1. 19" TFT LCD
2. Intel Pentium 4 / Celeron D LGA775 800MHz CPU up to 3.8GHz
3. Dual DDR 400MHz DIMM socket up to 2GB
4. Dual SATA -150 with RAID 0,1 function support
5. Dual Removable 3.5" HDD module support (Optional)
6. Dual Gigabit Ethernet support
7. IP 65 compliant aluminum front panel

## POS-6614

1. Intel® Pentium® 4/ Celeron® D LGA775 support up to 800MHz
2. VGA integrated in SiS® 661CX and 24-bit dual channel LVDS by SiS® 302LV
3. Dual DDR 400MHz DIMM socket up to 2GB
4. Dual GbE, FDD, LPT, SATA, IDE, USB 2.0 and COM

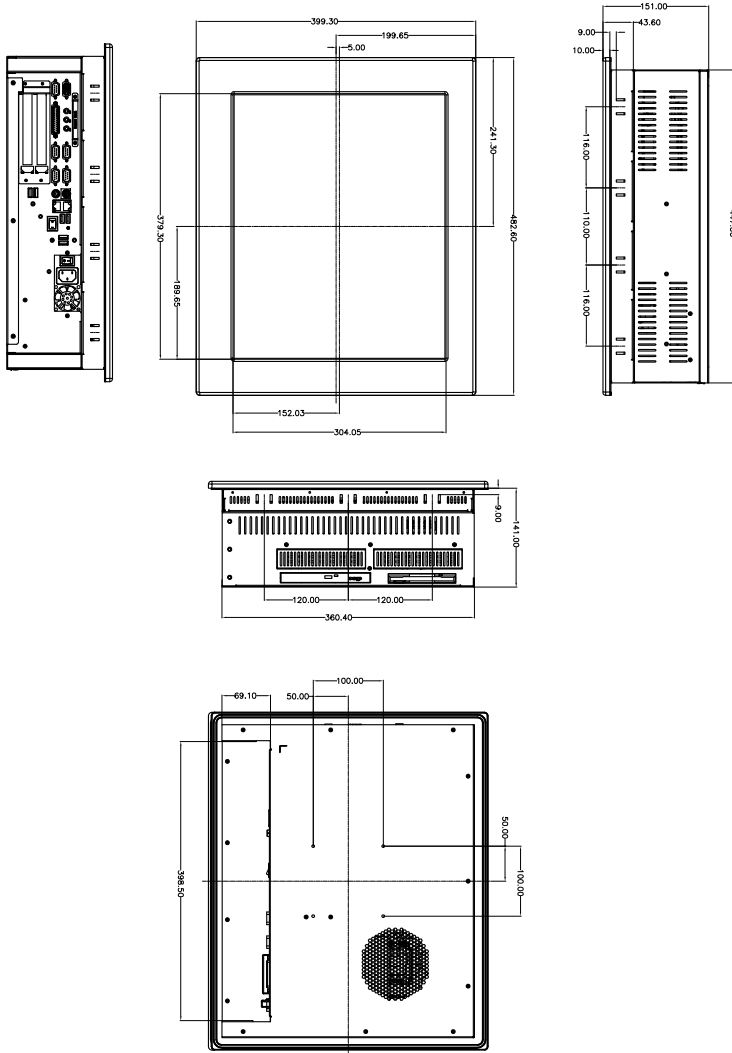


## Specifications

<b>CPU Board</b>	POS-6614	<b>Touch Screen</b>	Optional 5-wire resistive type with RS-232 interface
<b>CPU</b>	-Socket-775 based Intel® Pentium® 4/Celeron® D support FSB 800/533 MHz up to 3.8GHz	<b>Power Supply</b>	- ATX Power - 250W, ACE-4525AP-RS Input: 90 ~ 240VAC @ 50/60Hz, Output (max) : 3.3V@16A, 5V@16A, 12V1@16A, 12V2@16A, -12V@ 0.5A, 5Vsb@2.5A ATX Power - 300W, ACE-830CU1 Input: 24VDC @ 50/60Hz, Output (max) : 3.3V@20A, 5V@25A, 12V@22A, -12V@ 1A,+5Vsb@1.5A
<b>Chipset</b>	SiS @ 661CX + SiS 966	<b>Operating Temp.</b>	0 °C~ 50°C.
<b>Memory</b>	2 x DDR 400MHz DIMM socket up to 2GB	<b>Storage Temp.</b>	-20°C ~ 60°C.
<b>VGA</b>	SiS661CX support dual display	<b>Vibration</b>	- 5~17Hz 0.1" double amplitude displacement - 17~640 Hz 1.5G acceleration peak to peak
<b>SSD</b>	CF Type II	<b>Shock</b>	10G acceleration peak to peak. (11ms)
<b>Drive Bay</b>	2 x 3.5" HDD bay with anti-shock or 2 x 3.5" SATA / IDE removable HDD bay (Optional) 1 x Slim Type CD-ROM bay 1 x Slim Type FDD bay	<b>Relative Humidity</b>	5 ~ 95% @ 60° C, non-condensing
<b>Ethernet</b>	-2 x Realtek RTL8110SC Gigabit Ethernet controller	<b>Net /Gross Weight</b>	14.8 / 20.4 Kg
<b>Audio</b>	AC '97 2.3 Realtek ALC 655	<b>Dimension</b>	483 (w) x 305 (H) x 151 (D) mm
<b>I/O</b>	-1 x RS-232/422/485 ports -3 x RS-232 ports - 6 x USB 2.0 ports -2 x PS/2 ports (KB/MS) -1 x VGA out -1 x LPT - 2 x LAN -3 x Audio (Lin-in, Line-out, MIC-in) - 2 x IDE , - 2 x SATA	<b>LCD</b>	- Resolution: 1280 x1024 XGA - Brightness : 300cd/m2 - Contrast Ratio : 700:1 - Viewing Angle (H-V):140/130 - Backlight MTBF : 50000hrs
<b>Expansion Slot</b>	1 x PCI slot, 1 x PCIe by 1 1 x PCIe mini card	<b>Front Panel Protection</b>	IP 65 Compliant
		<b>Certificate</b>	Meets CE / FCC

- 1 Single Board Computer
- 2 VIDEO CARD
- 3 Xscale Solutions
- 4 Open HMI
- 5 VITO Universal Controller
- 6 DINO BLADE
- 7 LCD Product Series
- 8 Embedded System
- 9 Industrial Computer Chassis
- 10 Power Supply
- 11 Peripherals

## Dimensions

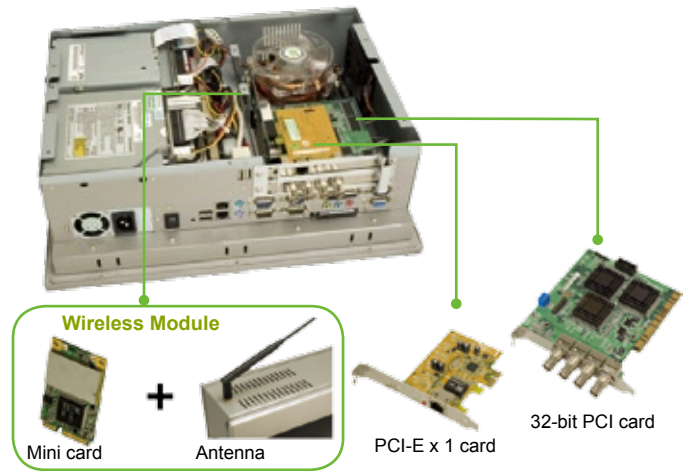


## Packing List

Part Number	Description	Amount
19600-000078-RS	Screw Kit	1
33100-000079-RS	Jumper Pack	1
19B00-000032-RS	CD-ROM Installation Kit	1
19B00-000013-RS	1 x FDD Installation Kit	1
32200-075700-RS	1 x HDD Cable(40 PIN + 40PIN IDE Cable)	1
CF-775A-RS	1 x CPU Cooler	1
32000-000002-RS	1 x Power Cord	1
	1 x User Manual & Driver CD-ROM	1
PK-190M	1 x Panel Mounting Kit	1
WK-190MS-R10	1 x Wall Mounting Kit	1
	Touch Screen Driver CD / Touch Pen Note(T-R Model ONLY)	1

## Flexible Expansion Interface

PPC-52xx series provide many expansion interfaces including one standard 32-bit PCI slot for various PCI add-on card, one PCI-E x 1, and one mini card socket for a small form factor extender such as wireless module.

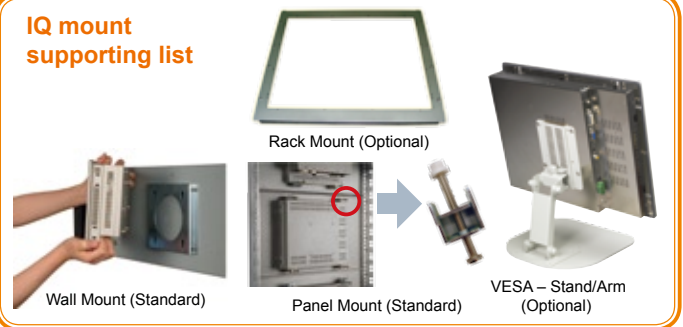


## User-accessible CF slot

PPC-5250 / PPC-5270 / PPC-5290 have a CF slot on the bottom panel. It makes users install or replace CF card simply and easily.



## IQ mount supporting list



## Ordering Information

PPC-5290GS/6614/ACE-4525AP	19" Pentium 4 full function TFT LCD panel PC with /POS-6614 and ACE-4525AP-RS, Silver color, RoHS
PPC-5290GS/6614/ACE-4525AP/T-R	19" Pentium 4 full function TFT LCD panel PC with POS-6614, ACE-4525AP-RS, and touch screen, Silver color, RoHS
PPC-5290GS/6614/ACE-830CU1	19" Pentium 4 full function TFT LCD panel PC with /POS-6614 and ACE-830CU1-RS, Silver color, RoHS
PPC-5290GS/6614/ACE-830CU1/T-R	19" Pentium 4 full function TFT LCD panel PC with POS-6614, ACE-830CU1-RS and touch screen, Silver color, RoHS
PPC-5290GS/6614W/ACE-4525AP/T-R	19" Pentium 4 full function TFT LCD panel PC with POS-6614, 802.11b/g Wireless module, ACE-4525AP-RS and touch screen, Silver color, RoHS

1  
Single Board Computer

2  
VIDEO CARD

3  
Xscale Solutions

4  
Open HMI

5  
VITO Universal Controller

6  
DINO BLADE

7  
LCD Product Series

8  
Embedded System

9  
Industrial Computer Chassis

10  
Power Supply

11  
Peripherals