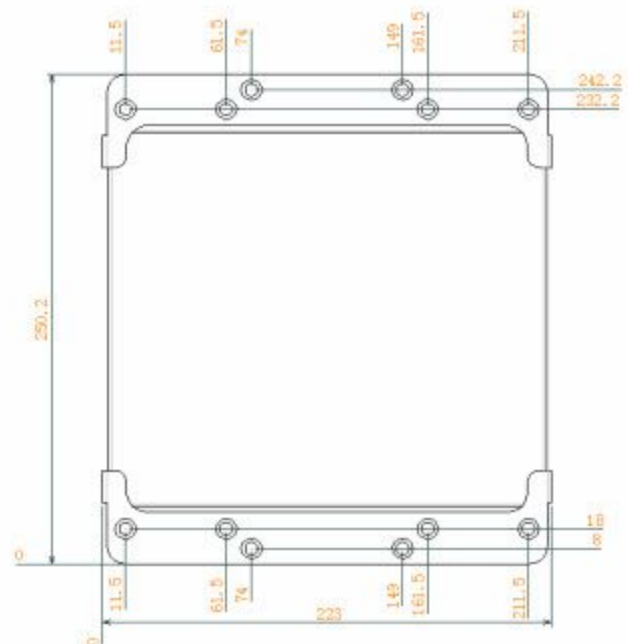




Wall Mount Drawing

## Specification

<b>Model</b>	T310019
<b>System</b>	Compact Mini ITX System, 4th Gen iCore Haswell platform Long Term Support, with flexible I/O Panel
<b>Chassis</b>	IT301 (T3 Filet Case) Stylish Black with optional FAN, PWR / HDD Led, 2* 2,5" drive bay
<b>Mainboard</b>	Kino-DH810-R10, Industrial Grade, H81 Chipset
<b>CPU</b>	i5-4570T 2Core/4Thread 2,8-3,6Ghz, HD4600 GX 200Mhz, 4MB AMT9.0
<b>Memory</b>	4GB (2x2) DDR3L SODIMM 1600Mhzon 2* DIMM (16GB max) Intel® HD Graphics Gen 7.5 supports DX11.1 and OpenCL 1.2, OpenGL 3.2
<b>Display</b>	DVI-D (up to 2560x1600 @ 60 Hz) VGA (up to 1920x1200 @ 60 Hz)
<b>Ethernet</b>	Dual LAN: Intel® I211-AT PCIe controller
<b>Audio</b>	Realtek ALC662 HD audio codec
<b>Super I/O</b>	Fintek F81866
<b>Front I/O</b>	Audio Line IN/OUT, 2* USB 2.0 Type A
<b>Rear I/O</b>	2* RS232 DB9, VGA, DVI-D, 2* RJ45 GbE, 2* USB 2.0, 2* USB 3.0, Line IN/OUT
<b>on Board</b>	Optinal via Cable: 2* Com Port RS232 1* RS422/485 TPM, SMBUS (4pin), Digital I/O (2*5pin), PS/2, USB2.0 (2,0mm), 1* Mini PClex1 w/ mSATA
<b>Watch Dog</b>	Software programmable, support 1~255 sec. system reset
<b>Power</b>	4pin 12VDC via 84Watt AC/DC Adapter 90-230V AC
<b>Dimension</b>	W218 x D 210 x H 65 mm
<b>Weight</b>	2,05KG without Power Adapter / Mounting Kits



<b>Packing List</b>	1* T310019 ITX System, i5-4570T, 2x2GB RAM, 500GB SATA HDD AD84M4PP24 12V pin Power Adapter 90-230V AC, EU Power Cord Driver / Utility DVD, ONEKEY Recovery DVD 2* Stand for Vertical Desktop use
---------------------	--

<b>Optional CPU</b>	i7-4770T 4C/8T 2,5-3,7Ghz, HD4600 GX 350Mhz, 8MB AMT9.0 i3-4350T 2C/4T 3,1Ghz, HD4600 GX 200Mhz, 4MB
<b>Optional Parts</b>	32200-000049-RS, 1* DB9 COM Port RS232 32205-003800-300-RS 1* DB9 COM Port RS422/485 DP-VGA-R10, iDP > VGA Converter for 2nd VGA OUTPUT T23WVK, Wall mount need 2 pcs / half Vesa mount only 1 pcs F2X410 2* 40mm FAN MEC-LAN-002 Dual GbE Mini PCIe Card with T3IO2L SLIM DVDRW or 2nd 2.5" SATA HDD cday with mSATA Slot mSATA SDD (Colay with mPCle part) Bluetooth, W-LAN, WIFI, 3G, 4G Modem, SIM, GPS via mPCle Slot