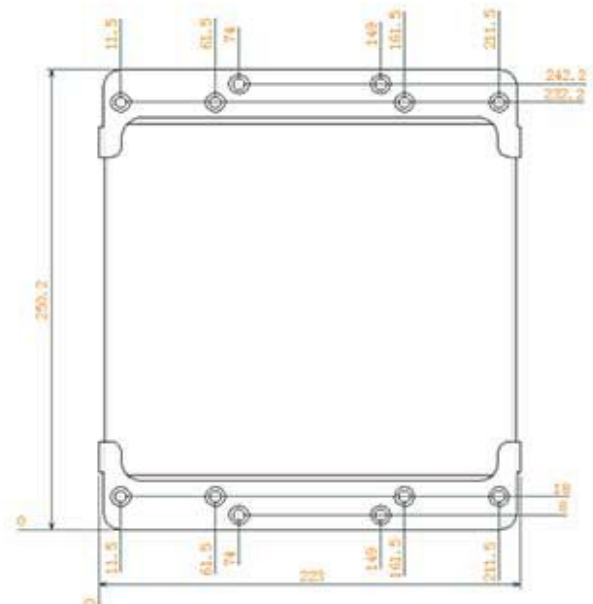




Specification

Wall Mount Drawing

Model	T3I0035
System	Compact Mini ITX System, Intel® Celeron® N2930 on-board SoC, 2* LAN (Max. upto 4 * Lan) Long Term Support, with flexible I/O Panel
Chassis	IT301 (T3 Filet Case) Stylish Black with optional FAN, PWR / HDD Led 2* 2.5 Drive Bay
Mainboard	KINO-DBT-N29301-R10
CPU	Intel® Celeron® N2930 on-board SoC (1.83GHz, quad-core, 2MB cache, TDP=7.5W)
Memory	4GB (2x2) DDR3L SODIMM Default, (8 GB max)
Display	Intel® HD Graphics Gen 7 Engines with 4 execution units, supporting DX11.1, OpenGL 4.2 and OpenCL1.2 DVI-D (up to 2560x1600 @ 60 Hz) VGA (up to 1920x1200 @ 60 Hz)
Ethernet	Dual Realtek RTL8111E PCIe GbE controller Dual LAN via Intel 82583V x 2 (MEC-Lan-002)
Audio	Realtek ALC662 HD codec supports 5.1 channel
Digital I/O	8-bit digital I/O (2x5 pin)
Front I/O	Audio Line IN/OUT, 2* USB 2.0 Type A
Rear I/O	2* RS232 DB9, VGA, DVI-D, 2 (Max. 4) * Rj45 GbE, 2* USB 2.0, 2* USB 3.0, Line IN/OUT
on Board	TPM, SMBUS (4pin), Digital I/O (2*5pin), PS/2, USB2.0 (2,0mm), 1* Mini PClex1 w/ mSATA
Watch Dog	Software programmable, support 1~255 sec. system reset
Power	4pin 12VDC via 84Watt AC/DC Adapter 90-230V AC
Dimension	W218 x D 210 x H 65 mm
Weight	2,05KG without Power Adapter / Mounting Kits



Optional Parts	T23WVK, Wall mount need 2 pcs / half Vesa mount only 1 pcs
	SLIM DVDRW or 2nd 2.5" SATA HDD
	F2X410 2" 40mm FAN
	mSATA SDD (Colay with mPCle port)
	Bluetooth, W-LAN, WIFI, 3G, 4G Modem, SIM, GPS via mPCle Slot, VGA / DVI , DP-DP, DP-DVI, DP-HDMI, DP-VGA
	1* MEC-LAN-002 Dual GbE µPCle Card

Packing List	1* T3I0035 ITX System, Intel® Celeron® N2930 on-board SoC, 2x2GB RAM, 500GB SATA HDD
	1* AD84M4PP24 12V pin Power Adapter 90-230V AC, EU Power Cord
	1* Driver / Utility DVD, ONEKEY Recovery DVD
	2* Stand for Vertical Desktop use