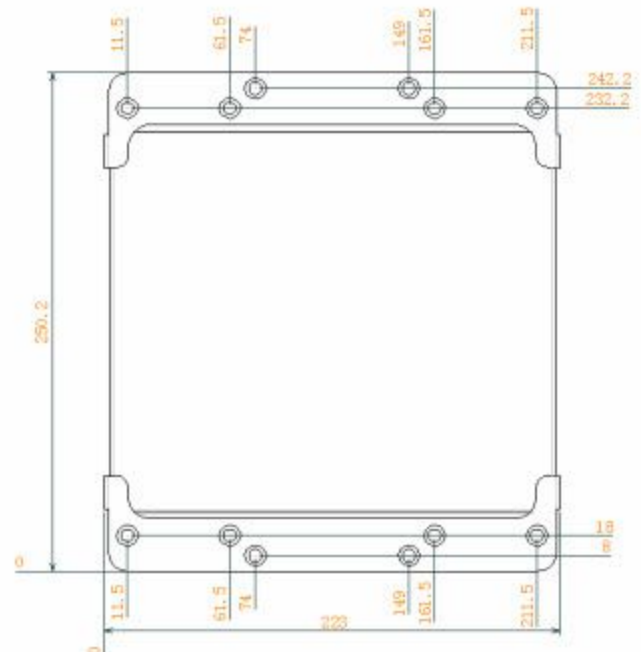




Wall Mount Drawing

Specification

Model	T3S0022
System	Compact Mini ITX System, C2000 SoC Avoton platform 4* GbE Ethernet with dedicatet IPMI w/ vKVM over IP
Chassis	IT301 (T3 Filet Case) Stylish Black with optional FAN, PWR / HDD Led 2* 2,5 Drive Bay
Mainboard	A1SAI-2550F, C2000 SOC
CPU	C2550 4 Core / 4 Thread 2,4-2,6Ghz
Memory	16GB (2x8) DDR3(L) SODIMM 1600Mhz ECC (max 4* DIMM 64GB max)
Display	BMC integrated Aspeed AST2400 VGA (up to 1920 x 1200 Limited driver of Server OS 2012)
Ethernet	C2000 SoC I354 Quad GbE controllers 10BASE-T, 100BASE-TX and 1000BASE
Super I/O	AST2400
Front I/O	2* USB 3.0 Type A
Rear I/O	1* RS232 DB9, VGA, 4* RJ45 GbE, 1* RJ45 Dedicated IPMI LAN port 2* USB 2.0, 2* USB 3.0 Optional via Cable: 1* Com Port RS232
on Board	TPM 1.2 header, SMBus I2C Header (4pin), 3* USB 3.0
Watch Dog	Software programmable, support 1~255 sec. system reset
Power	2pin 12VDC DC Jack with Srew Lock via 84Watt AC/DC Adapter 90-230V AC
Dimension	W218 x D 210 x H 65 mm
Weight	2,05KG without Power Adapter / Mounting Kits



Packing List	1* T3S0022 ITX System, C2550, 2x8GB ECC RAM, 500GB SATA HDD 1* AD84LM 12V 2pin with Srew Lock Power Adapter 90-230V AC, EU Power Cord 2* Stand for Vertical Desktop use
---------------------	---

Optional CPU	C2750 8Core 2,4Ghz, Rangeley 2758/2558 4/8 Core (Intel® QuickAssist Technology)
Optional Parts	32200-000049-RS, 1* DB9 COM Port RS232 T23WVK, Wall mount need 2 pcs / half Vesa mount only 1 pcs F2X410 2* 40mm FAN