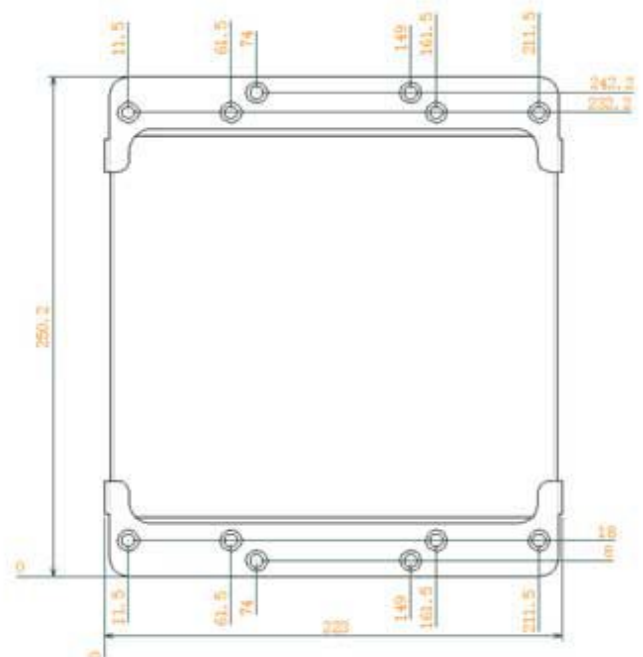




Wall Mount Drawing

Specification

Model	T3S0031
System	T3 Compact Mini ITX System, Braswell-D N3700 platform Long Term Support, with flexible I/O Panel
Chassis	IT301 (T3 Filet Case) Stylish Black with optional FAN, PWR / HDD Led, 2* 2.5" drive bay
Mainboard	X11SBA-LN4F N3700 System on Chip
CPU	N3700 Pentium Quad Core 1.6-2.4GHz, 2MB
Memory	4GB (2x2) DDR3L SODIMM 1600Mhzon 2* DIMM (8GB max) Intel® HD Graphics supports DX11.1 and OpenGL
Display	DisplayPort 1.1a HDMI version 1.4b
Ethernet	Quad GbE LAN with Intel® i210-AT
Audio	Realtek ALC888S HD Audio
Super I/O	Pericom 608GP
Front I/O	Audio Line IN/OUT, 2* USB 2.0 Type A
Rear I/O	HDMI, Display Port, 4* RJ45 GbE, 1*RJ45 IPMI, 2* USB 2.0, 2* USB 3.0, VGA(for BMC)
on Board	Optinal via I/O Plate COM / LAN, Antenna TPM, SMBUS (4pin), Digital I/O (2*5pin), PS/2, USB2.0 (2,0mm), 1* Mini PClex1 w/ mSATA
Watch Dog	Software programmable, support 1~255 sec. system reset
Power	2pin 12VDC via 84Watt AC/DC Adapter 90-230V AC
Dimension	W218 x D 210 x H 65 mm
Weight	2,05KG without Power Adapter / Mounting Kits



Optional Parts

- 32200-000049-RS, 1* DB9 COM Port RS232
- T23WVK, Wall mount need 2 pcs / half Vesa mount only 1 pcs
- MEC-LAN-002 Dual GbE Mini PCIe Card with T3IO2L
- SLIM DVDRW or 2nd 2.5" SATA HDD colay with mSATA Slot
- mSATA SDD (Colay with mPCIe port)
- Bluetooth, W-LAN, WIFI, 3G, 4G Modem, SIM, GPS via mPCIe Slot

Packing List

- 1* T3S0031 ITX System, 2x2GB RAM, 500GB SATA HDD
- 1* AD84LM 12V 2pin with Srew Lock Power Adapter 90-230V AC, EU Power Cord
- 2* Stand for Vertical Desktop use
- F2X410 2* 40mm FAN