



CI945A Series

Application

Network Appliances for Firewall, VPN, and Server

Features



Specifications

- . CPU type Intel Core 2 Duo / Core Duo
- . Front Side Bus 533/667 MHz
- . MB Chipset Intel 945GME + ICH7M (82801GBM)
- . Graphics Intel Gen 3.5 Integrated Graphics Engine
Dynamic Video Memory Technology(DVMT 3.0)
Higher performance MPEG-2 decoding
- . LVDS Supports data format of 18 bits/36 bits
- . Memory 1x DDR2 SO DIMM (max. 2 GB)
- . IDE Ultra ATA 100/66/33, 1x 40 pin 2.54mm, 1x44 pin 2.0mm
Support Compact Flash card type II for ATA interface
- . SATA Two SATA ports with independent DMA operation
supported on ports 0 and 2
- . Audio Intel High Definition Audio Specification Rev.1.0 Compliant
- . LAN 4 x Intel 82573L / 10/100/1000 Mbps
or Realtek RTL8101E 10/100 Mbps LAN
Supports PCI Express™ 1.0a
- . IO function 1 x RS232
Supports IrDA 1.0/ASKIR protocol
Supports PS2 keyboard and mouse
- . USB 8 x USB 2.0
- . PCMCIA (CI963A) Supports two sockets, for CardBus (Card-32) and 16-bit Card
Richo R5C5C812 PCMCIA Chipset compliant PCI with ver:2.3
- . DIO & WDT (option) Hardware digital Input & Output, 4xDI / 4xDO
Hardware Watch Dog Timer, 0~255 sec programmable
- . Expand interface 1 x Mini PCI for only PCI rev: 2.2 interface
1 x PCI gold finger
- . Power On board DC +12V convert to +3.3V/+12V/+5V for system
-12V support (optional)
- . Dimension 200 x 150 mm

- . Operation Temperature: 0 ~ 60 °C
- . Operation Humidity: 5~95% @ 60 °C, non-condensing

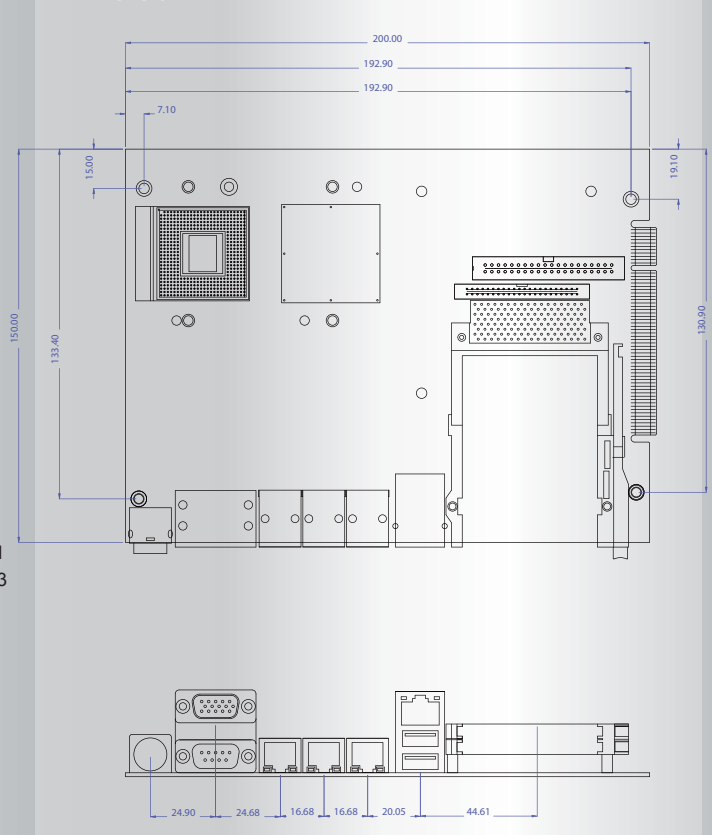
Ordering Information

- . CI945A TBD

Available Chassis



Dimension



Back Panel(CI945A)

