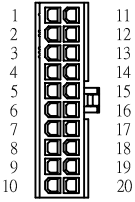
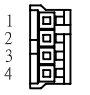


REVISIONS	DESCRIPTION	APPROVED	DATE

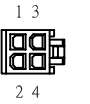
1. ATX Main Power Connector (20Pin)

Pin	Color	Signal	Pin	Color	Signal	P1	Wire Length
1	Orange	+3.3Vdc	11	Orange	+3.3Vdc	 JP2416-20 or EQU.	P1=500 ± 10
			11	Brown	+3.3Vs.		
2	Orange	+3.3Vdc	12	Blue	-12Vdc		
3	Black	COM	13	Black	COM		
4	Red	+5Vdc	14	Green	PS_ON#		
5	Black	COM	15	Black	COM		
6	Red	+5Vdc	16	Black	COM		
7	Black	COM	17	Black	COM		
8	Gray	PWR_OK	18	N.C.			
9	Purple	+5Vsb	19	Red	+5Vdc		
10	Yellow	+12Vdc	20	Red	+5Vdc		

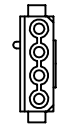
4. Floppy Drive Power Connector(s) (4Pin)


Pin	Color	Signal	P5,P8	Wire Length
1	Red	+5Vdc	 JP11635-4 or EQU.	P5,P8=150 ± 10
2	Black	COM		
3	Black	COM		
4	Yellow	+12Vdc		

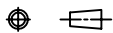
2. Processor Power Connector (4Pin)

Pin	Color	Signal	P2	Wire Length
1	Black	COM	 JP2416 - 4 or EQU.	P2=500 ± 10
2	Black	COM		
3	Yellow	+12Vdc		
4	Yellow	+12Vdc		

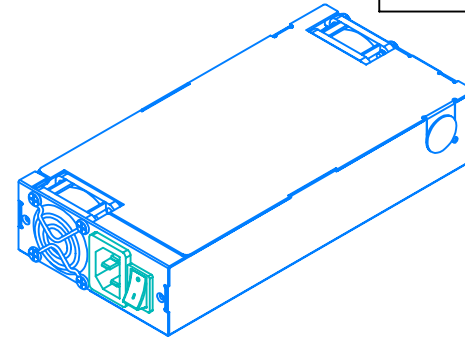
3. Peripheral Power Connector(s) (4Pin)

Pin	Color	Signal	P3,P4,P6,P7	Wire Length
1	Yellow	+12Vdc	 JP1120 - 4 or EQU.	P3,P6=500 ± 10 P4,P7=150 ± 10
2	Black	COM		
3	Black	COM		
4	Red	+5Vdc		

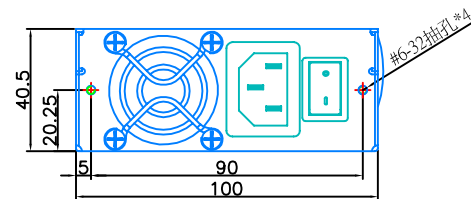
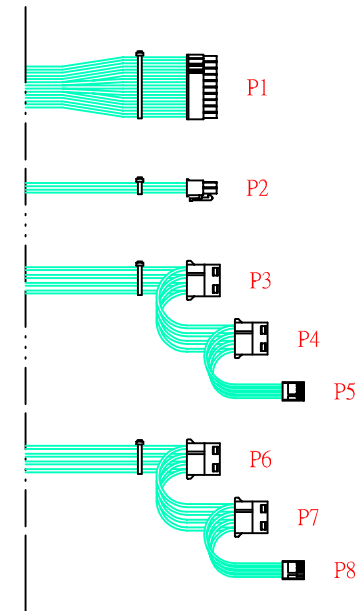
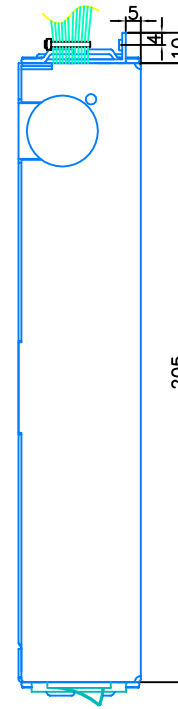
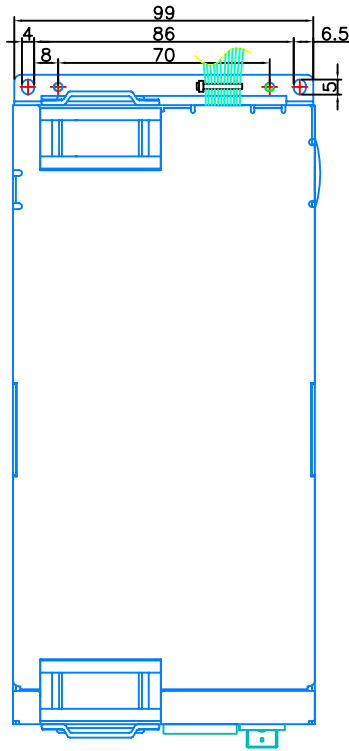
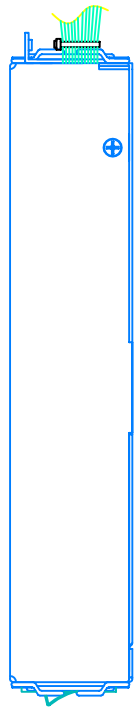
MODEL NAME	ST-250UAG Connector			
PART NO.		七盟電子工業股份有限公司		

APPLY FOR NO.	SD-05-05-006	MATERIAL	For KACER	DATE	2005/05/23		
CUSTOMER		APPROVED		PROJECTION			
SALES		CHECKED		REV NO.	A0	SCALE	1:1
TSD		DRAWN		TOLERANCE	/	UNIT	mm

REVISIONS	DESCRIPTION	APPROVED	DATE



POWER WIRE LENGTH								
P1	P2	P3	P4	P5	P6	P7	P8	
500	500	500	150	150	500	150	150	
NOTE:線材外露長度公差為±10mm.								



MODEL NAME	ST-250UAG 示意圖				
PART NO.		七盟電子工業股份有限公司			
APPLY FOR NO.	SD-05-05-006	MATERIAL	For KACER	DATE	2005/05/23
CUSTOMER		APPROVED		PROJECTION	
SALES		CHECKED		REV NO.	A0
TSD		DRAWN		TOLERANCE	/
				SCALE	1:1
				UNIT	mm